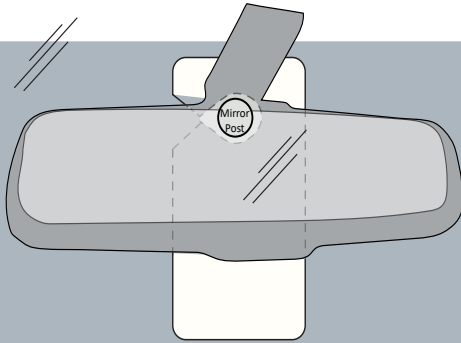


eGo® Plus Low Profile

Hang Tag

Installation Guidelines

16-0149-001 REV A 2/2020

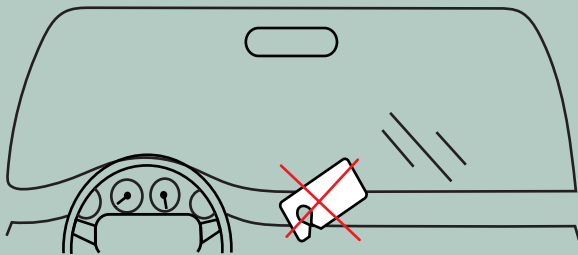


Hook the hang tag over the rear view mirror post. Ensure that no stickers or other objects obscure the hang tag. The hang tag should not be used if other RFID transponders are present on the windshield.

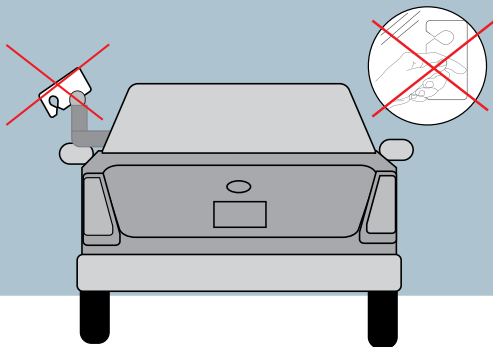


Position the hang tag so it hangs vertically on the mirror post.

Note: Some windshields have a black dotted area behind the rear view mirror. This area should not impact the tag's performance.



Do not lay the hang tag on the dashboard. The tag will not function properly if it is not installed correctly on the rear view mirror.



Do not hold the hang tag up near the windshield or wave it outside the window as you drive through a toll plaza or gantry area. The tag will not function properly if it is not installed correctly on the rear view mirror.



For more information:

Sales Support
800.923.4824

Technical Support
505.856.8007

transcore.com 

TRANSCORE[®]
Trusted Transportation Solutions

© 2020 TransCore LP. All rights reserved. TRANSCORE is a registered trademark, and is used under license. All other trademarks listed are the property of their respective owners. Contents subject to change. Printed in the U.S.A.

