

eGo® Plus

License Plate Tag

Installation Instructions

General instructions and guidelines

The eGo Plus License Plate Tag (LPT) should be installed on the front of your vehicle on a flat surface. The LPT is typically screw-mounted in the area of the front bumper where the license plate is located. If the license plate area of your vehicle is not perpendicular to the ground or is partially obstructed by an overhanging bumper, you will need to mount the tag at an alternate location in the vicinity of the license plate.

Note: *If your vehicle does not have a front license plate area or if you need to mount the LPT in an alternate location, contact your tag agency for further options.*

Required supplies

- eGo Plus License Plate Tag
- Screwdriver (flat-blade or Phillips depending on your vehicle's license plate mounting screws)
- Optional TransCore Exterior Tag Accessory Kit (54-7008-000). This kit contains tamper-resistant mounting screws and wrench.

Installing the eGo Plus LPT

Mounting the LPT to the Vehicle

1. Remove the screws from the license plate area of your front bumper. If your vehicle does not have mounting screws you will need two self-tapping threaded screws. You can also contact the tag agency to inquire about the optional TransCore Exterior Tag Accessory Kit.

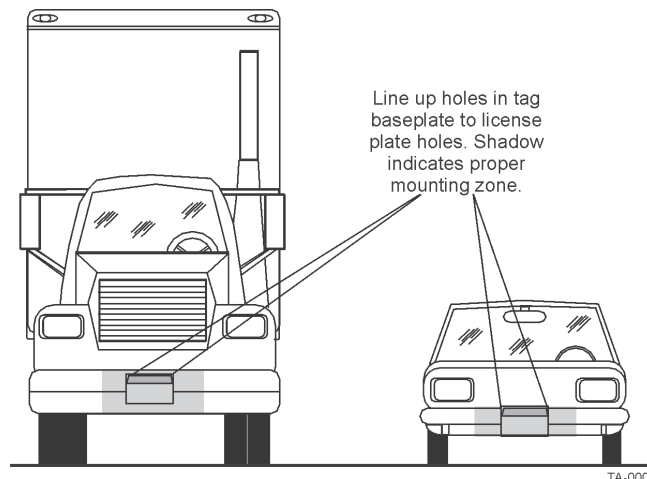
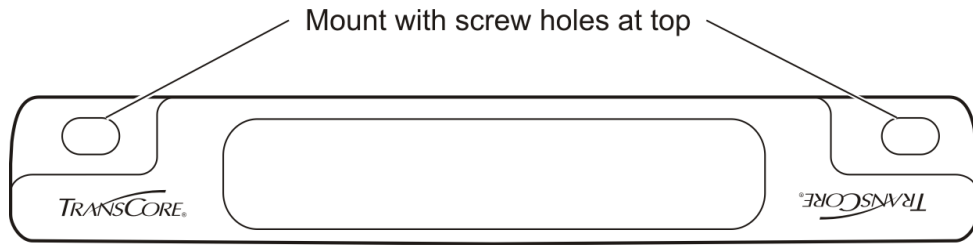


Figure 1 – Mounting Locations for the LPT

2. Position the LPT so that it is within 18 inches (46 cm) of the center of the front bumper as shown by the shaded area in **Figure 1**. If your vehicle's license plate mounting area is more than 18 inches (46 cm) from the center, you may need to select an alternate location to mount the tag. Contact your tag agency if your vehicle requires an alternate mounting location for the LPT.
3. Hold the LPT so that the etched lettering is facing you, the mounting holes are to the top, and the TransCore logos are at the bottom as shown in **Figure 2**.

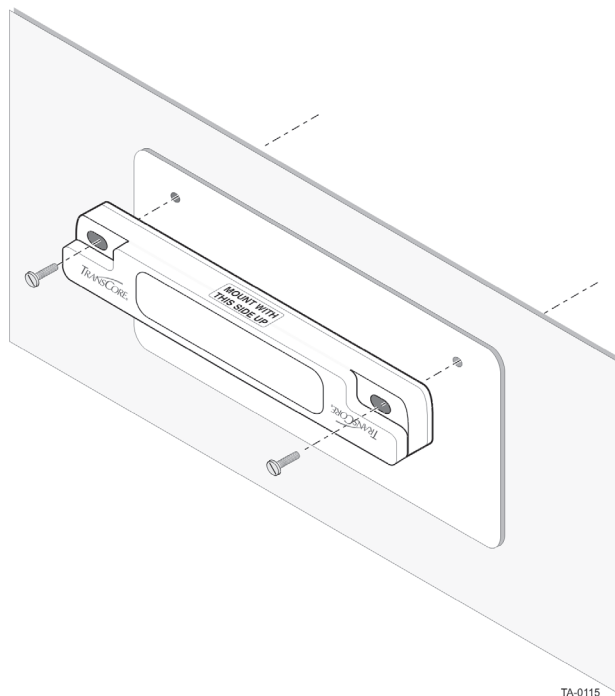


TA-0116

Figure 2 – Correct Tag Orientation

4. Fasten the LPT to the bumper using the license plate mounting screws (**Figure 3**). Install the LPT over the top area of the vehicle's license plate if your vehicle has a front license plate. If your state does not require a front license plate, install the LPT in the area where a license plate would normally be mounted.

Note: You may need to use longer screws to fasten the LPT over the top area of your license plate.



TA-0115

Figure 3 – Upper Placement over the Top Area of the License Plate

Tag Placement Guidelines

1. The area within 45 degrees of the center of the tag should be free of obstructions (**Figure 4**).

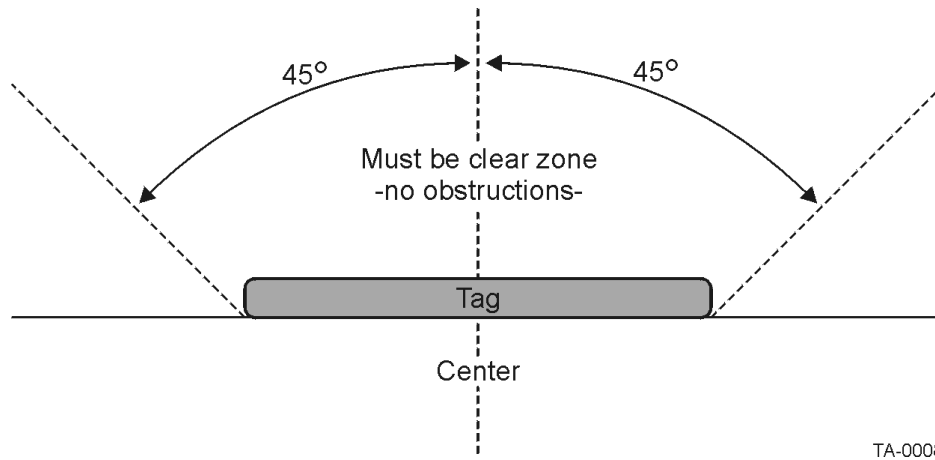


Figure 4 – Obstruction-Free Area

2. No material should overhang the tag. If overhang is more than ½ inch (1.27 cm), insert spacers or washers directly behind the tag so that the tag is clear of any overhanging obstruction. Secure the bolts with a nut (**Figure 5**).

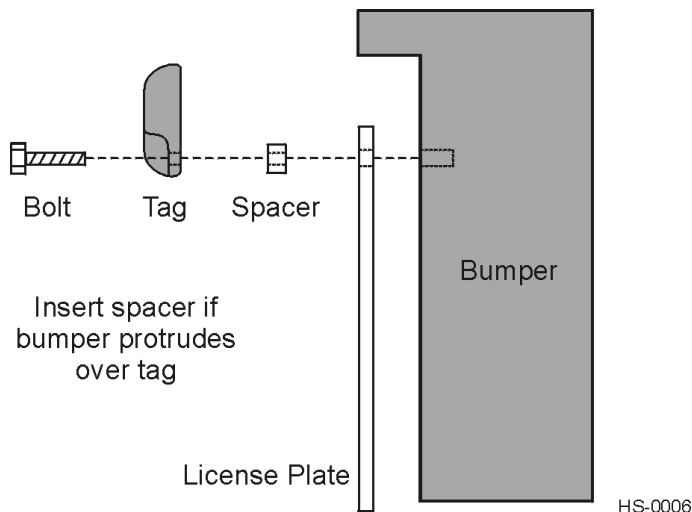


Figure 5 – Spacer Positioned Behind Tag

3. Tighten the bolts and nuts with a screwdriver and wrench to secure the tag to the vehicle.

Alternate Mounting Methods

If the LPT cannot be mounted on the license plate bracket, the tag may be mounted directly on the bumper or on a relatively vertical front surface of the vehicle. The LPT should be mounted as close to the bumper as possible, following all guidelines regarding orientation, obstruction, and overhang. For applications where the integrity of the mounting surface cannot be compromised, the LPT can be mounted on a smooth flat surface using VHB double-sided adhesive tape.

Mounting on a Front Bumper

- Tags can be mounted on any metal or non-metallic surface; composition of bumper does not matter.
- Tags can be mounted to plastic bumpers using self-threading screws.
- Metal bumpers should be pre-drilled; self-threading screws may be used.

VHB Double-Sided Adhesive Tape

You need the following materials to install the LPT with VHB double-sided adhesive tape:

- Rubbing alcohol, 50/50 isopropyl alcohol and water, or solvent/cleaner for metal
 - Sponge and dry cloth
 - LPT with the VHB double-sided adhesive tape attached
1. Clean and degrease the tag installation area of the vehicle bumper with solvent/cleaner.
 2. Dry the area thoroughly using a clean, dry cloth.
 3. Remove the backing from the VHB double-sided adhesive tape on the back of the tag, as shown in [Figure 6](#).
 4. Mount the tag so the long axis of the tag is parallel to the road surface.
 5. Press the tag firmly against the bumper.

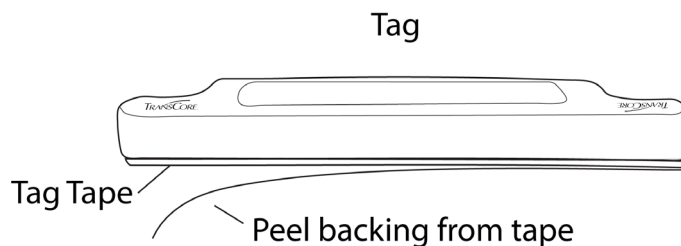


Figure 6 – LPT with VHB Double-Sided Tape

Blind Rivets

1. Position the tag on the bumper in the installation area and mark the hole positions of the tag's installation tabs on the bumper.
2. Follow the rivet manufacturer's instructions to drill holes in the bumper for rivets.
3. If the rivet head is smaller than the tag installation holes and can be pulled through the holes, use a small washer to secure the rivet through the tag.

For more information:

Sales Support
800.923.4824

Technical Support
505.856.8007

[transcore.com](https://www.transcore.com)



TRANSCORE
Trusted Transportation Solutions

© 2006-2023 TransCore LP. All rights reserved. TRANSCORE is a registered trademark and is used under license. All other trademarks listed are the property of their respective owners. Contents subject to change. Printed in the U.S.A.

16-0096-001 Rev A 4/23