

eGo®Plus AT5490

Mini External Tag

Installation Instructions for Semi Trucks

16-0028-004 Rev A 9/2023

The eGo Plus AT5490 is a beam-powered, 915 MHz, mini external tag that can be mounted on a flat or slightly curved glass, plastic, fiberglass, or metal surface. This rugged tag is water and weather resistant. Its compact size makes it the ideal solution for applications requiring exterior mounting and easy installation.

This document describes how to install the AT5490 on a semi truck.

General Installation Information

The AT5490 tag can be installed on a flat or slightly curved surface. The tag is attached with durable non-removable adhesive.

Required Materials

The following supplies are needed to install this tag:

- AT5490 Mini External Tag
- Rubbing alcohol, 50/50 isopropyl alcohol and water, or solvent/cleaner for metal
- Sponge and dry cloth

Tag Installation Procedures

Positioning the Mini External Tag

Mount the AT5490 tag with the long edges oriented horizontally. Refer to [Figure 1](#) for correct tag orientation.



Figure 1 – Correct tag orientation

Installation Instructions

The tag can be attached to any flat or slightly curved surface made of glass, plastic, fiberglass, or metal. For best results, find a location where the back of the tag makes maximum contact with the surface, close to the centerline of the vehicle. Refer to [Figure 2](#) for correct tag placement.

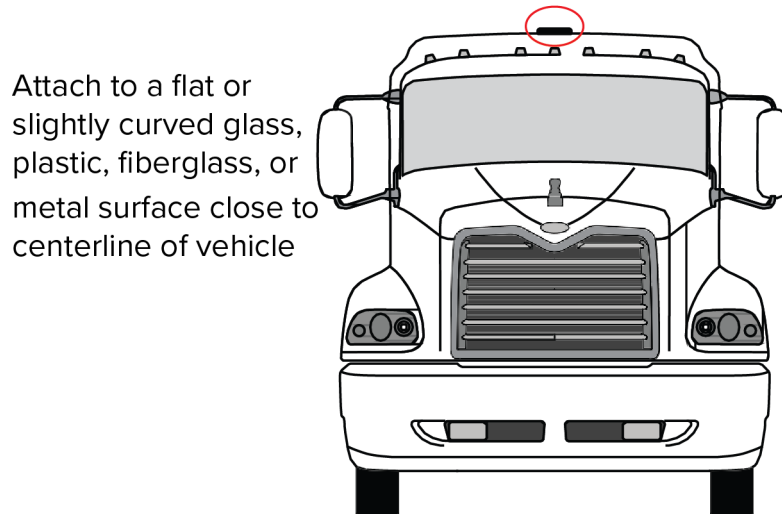


Figure 2 – Correct exterior tag placement

The front of the tag should be pointed toward the front of the vehicle. To prevent degradation in performance, position the tag such that:

- No metallic objects overhang the tag
- No metallic objects are mounted on the roof within 12 inches of the tag
- No antennas are within 12 inches of the tag.
- The tag should have a minimum field-of-view of 90 degrees ([Figure 3](#)).



Figure 3 – Field-of-view of 90 degrees

Installing the Mini External

Once you have identified a location for the tag, prepare the area where the tag will be installed. The ideal temperature range for mounting the tag is between 70°F to 100°F. Dust, grime, or greasy residue can adversely affect the bond strength of the adhesive on the tag.

1. Clean and degrease the tag installation area with solvent or cleaner. Dry the area thoroughly using a clean, dry cloth.
2. Remove the backing from both adhesive strips located on the back of the tag, as shown in [Figure 4](#).

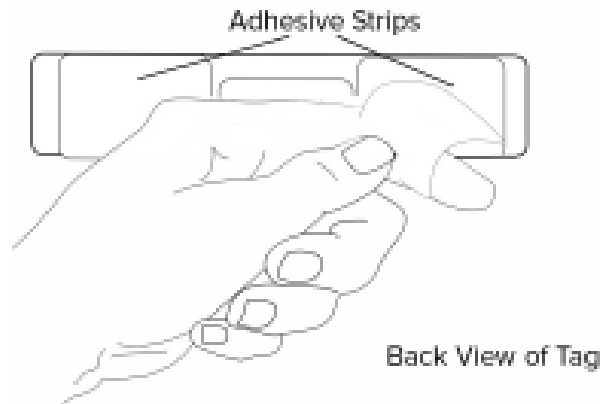


Figure 4 – Exterior tag with adhesive strip

3. Position the tag over the installation area.
4. Press the tag firmly against the mounting surface.
5. Allow the adhesive to cure for a minimum of one hour to ensure a firm bond.

Installation Examples

This section provides additional information for various situations that might occur when mounting the Mini External Tag to a semi truck.

Roof Top Running Lights

For cabs equipped with roof top running lights, position the tag so the longer side is horizontal to the windshield, centered on the roof, approximately 1 to 6 inches behind the lights ([Figure 5](#)).

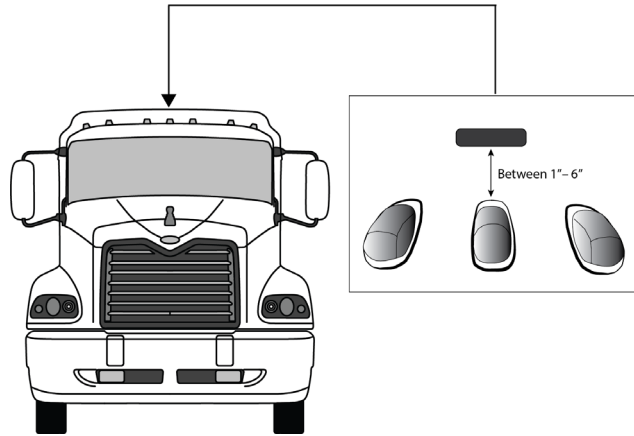


Figure 5 – Placement of tag behind roof top running lights

Metal Windshield Sun Visor

If the cab is equipped with a metal windshield sun visor, the tag may be centered on the metal visor, oriented so the longer sides are horizontal (Figure 6). The tag should be centered on the visor, side-to-side and top-to-bottom.

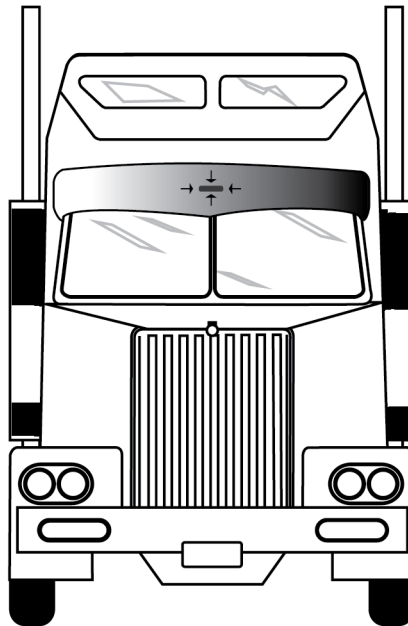


Figure 6 – Placement of tag on metal windshield sun visor

Fiberglass Windshield Sun Visor

If the cab is equipped with a fiberglass windshield sun visor, the tag may be mounted directly onto the cab behind the windshield sun visor. With the tag oriented horizontally, position it 1 inch above the visible edge of the windshield glass and 2 inches from the center windshield visor post toward the passenger side (Figure 7).

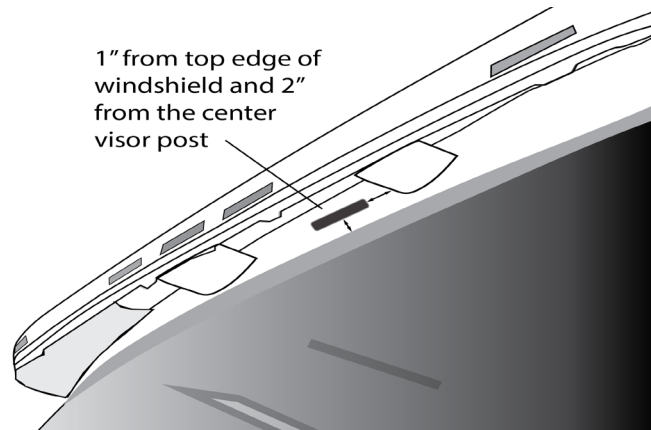


Figure 7 – Placement of tag behind fiberglass windshield sun visor

Fiberglass Wind Deflector

If the cab is equipped with a fiberglass wind deflector, position the tag horizontally and center it on the fiberglass no less than 1 inch but no more than 6 inches above the bottom edge of the wind deflector (Figure 8). Ideally, the bottom edge of the tag should be approximately 4 inches above the roof of the cab.

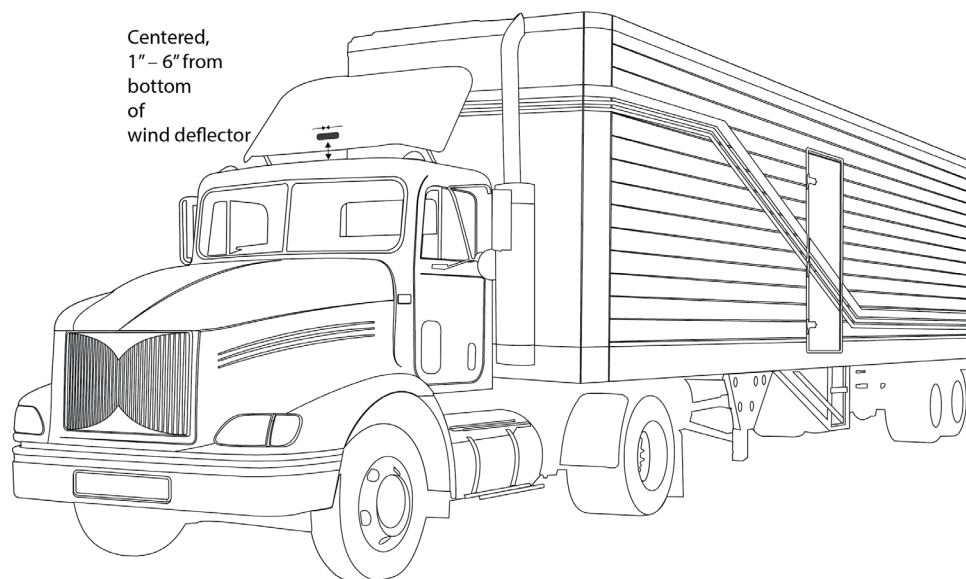


Figure 8 – Placement of tag on fiberglass wind deflector

Roof Top Fairing

If the cab is equipped with a fiberglass roof top fairing, position the tag horizontally and center it on the fiberglass no less than 1 inch but no more than 6 inches above the bottom edge of the fairing (Figure 9).

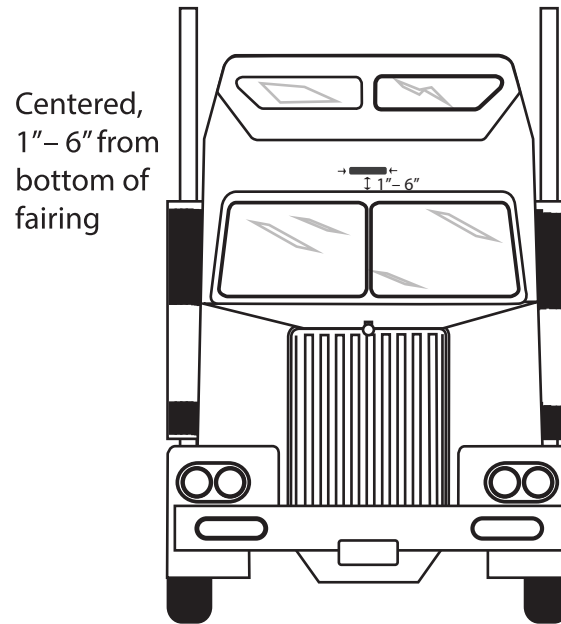


Figure 9 – Placement of tag on fiberglass fairing



For more information:

Sales Support
800.923.4824

Technical Support
505.856.8007

[transcore.com](https://www.transcore.com)



TRANSCORE[®]
Trusted Transportation Solutions

© 2023 TransCore L.P. All rights reserved. TRANSCORE and TRANSSUITE are registered trademarks, and are used under license. All other trademarks listed are the property of their respective owners. Contents subject to change. Printed in the U.S.A.

